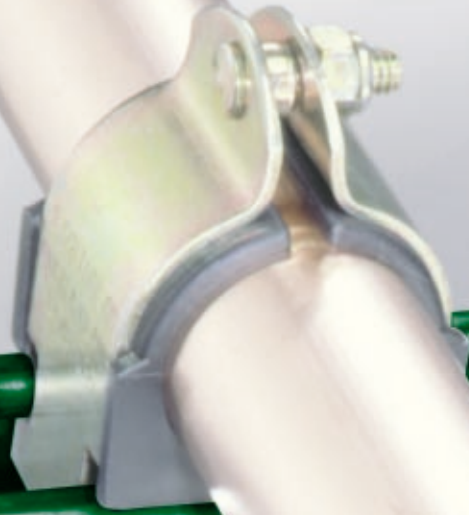


UNISTRUT®



Cush-A-Clamp®

Cushioning
& Clamping
Products

About the Products



**Vibration... Shock...
Surge... Expansion
and Contraction...
Noise... Insulation**

When installing fluid or gas conduction pipe, tube, or hose, the effects of vibration, shock, surge, temperature and unwanted noise are a major concern. Improperly clamped pipe, tube, or hose invite line failure and potential problems. New developments in cushioned

clamping from Power-Strut provide a proper clamping system to combat these effects, presently used in such industries as:

Refrigeration	Fluid Power
Machine Tool	Pulp and Paper
Power Plants	Marine
Agricultural	Robotics
Paint Systems	Communication
Instrumentation	Mining
Construction	Refineries
Food Processing	

Cush-A-Clamp[®] is at home in the plant or in the field, in OEM design or retrofit and repair installations. When your design requires pipe, tube, or hose, let Power-Strut offer a practical and proven method to battle the effects of vibration, shock, surge, electrolysis, abrasion, expansion and contraction.

U-Bolt Series

U.S. PATENT NO. 4,934,635-4,997,148-5,014,940

Designed for the tough jobs, the U-BOLT SERIES secures pipe runs to any flat surface. Provides total load distribution, allowing the U-BOLT to become a full-contact hanger instead of a knife edge.



The Cushion —
A rugged performer molded of a thermoplastic elastomer, the cushion withstands the effects of most oils, chemicals and cleaning compounds, in temperatures from -50°F to 300°F. A Living Hinge allows the cushion to be spread apart for quick, easy installation.

The Clamp —
A steel U-BOLT (with electro-galvanized finish) traps and secures the cushion in place to prevent lateral movement, while nylon-insert nuts provide a positive lock.

Available in pipe sizes from 1/2" thru 12". Also available in type 304 and 316 stainless steel.

Cush-A-Clamp®

U.S. PATENT NO. 4,516,296-4,934,635-4,997,148

A patented "Living Hinge" allows the cushion to be spread apart for quick, easy installation on sizes from 1/4" to 1 5/8".



The Clamp —

Features a unique shoulder stud which is securely fastened to one clamp half. This "controlled-squeeze" design eliminates overtightening and rotation while a nylon-insert nut

assures a positive lock. Clamps are available in steel (with electro-galvanized or electrochromate finish), and stainless steel.

The Cushion —
Manufactured from a thermoplastic elastomer, it's built tough to

withstand the effects of most oils, chemicals and industrial cleaning compounds, in temperatures from -50°F to 300°F. A patented "Living Hinge" allows the cushion to be

spread apart for quick, easy installation. Interlock edges and channel locator legs assure that the cushion remains in place.

Wide Size Range —

Available in tube sizes from 1/4" to 6 1/8", pipe sizes from 1/4" to 6". Special sizes available—call Power-Strut.



Installation —

One person, one tool gets the job done in a fraction of the time. Retrofits can be added without disassembling your present system.



Omega Series

U.S. PATENT NO. 4,934,635-4,997,148

Attaches with two standard fasteners to any flat surface, machine frame, structural frame, masonry walls, etc. They go up fast, lines are rigid and look neat.

The Cushion —

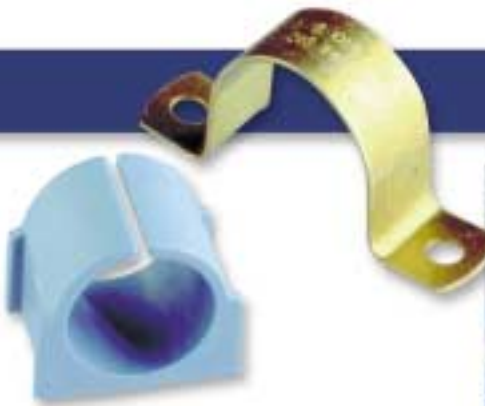
Manufactured from a thermoplastic elastomer, it's built tough to withstand the effects of most oils, chemicals and industrial cleaning compounds, in temperatures from -50°F to 300°F

The Clamp —

Available in steel (with electrochromate finish), and stainless steel.

Wide Size Range —

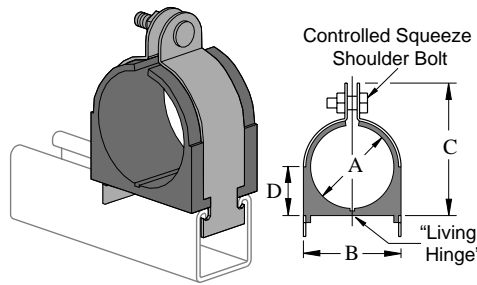
Available in tube sizes from 1/4" to 2 1/8", pipe sizes from 1/4" to 2". Special sizes available—call Power-Strut.



Ordering Information...

Ordering Cush-A-Clamp, Omega and U-Bolt Series assemblies is fast and easy. Refer to the installation chart, select your specific application, then order the appropriate assembly part number.

Cush-A-Clamp®



PIPE SERIES

Part Number	Nominal Pipe Size	Dimensions (Inches)				Wt/100 pcs Lbs
		"A"	"B"	"C"	"D"	
009N012	1/4	0.54	0.98	1.34	0.43	13
011N014	3/8	0.67	1.13	1.54	0.49	14
014N018	1/2	0.84	1.29	1.82	0.58	15
017N022	3/4	1.05	1.50	1.95	0.70	17
021N026	1	1.31	1.76	2.34	0.81	19
027N032	1 1/4	1.66	2.17	2.73	0.99	35
030N034	1 1/2	1.90	2.35	2.86	1.09	39
038N044	2	2.37	2.82	3.67	1.41	49
046N052	2 1/2	2.87	3.32	4.17	1.66	57
056N062	3	3.50	3.95	4.79	1.97	55
064N072	3 1/2	4.00	4.45	5.42	2.28	88
072N080	4	4.50	4.95	5.92	2.53	110
089N096	5	5.56	6.01	6.92	3.06	130
106N114	6	6.62	7.07	8.23	3.59	140

TUBE SERIES

Part Number	Copper & Steel Tube O.D.	Copper Water Pipe (Nom.)	Dimensions (Inches)				Wt/100 pcs Lbs
	Size		"A"	"B"	"C"	"D"	
004T008	1/4		0.25	0.62	0.98	0.27	10
006T010	3/8	1/4	0.37	0.82	1.13	0.33	11
008T012	1/2	3/8	0.50	0.94	1.34	0.40	13
010T014	5/8	1/2	0.62	1.06	1.54	0.46	14
012T016	3/4	5/8	0.75	1.20	1.68	0.52	14
014T018	7/8	3/4	0.87	1.31	1.82	0.58	15
016T020	1	1	1.00	1.44	1.95	0.65	17
018T022	1 1/8	1	1.12	1.57	2.08	0.70	18
020T024	1 1/4		1.25	1.70	2.21	0.77	18
022T026	1 3/8	1 1/4	1.37	1.82	2.34	0.83	20
024N028	1 1/2		1.50	1.95	2.47	0.90	33
026N030	1 5/8	1 1/2	1.62	2.07	2.60	0.96	35
028N032	1 3/4		1.75	2.20	2.73	1.02	37
030N034	1 7/8		1.87	2.32	2.86	1.09	39
032N036	2		2.00	2.45	3.04	1.15	46
034N040	2 1/8		2.12	2.57	3.23	1.27	47
038N044	2 3/8		2.37	2.82	3.67	1.41	49
040N046	2 1/2		2.50	2.94	3.79	1.46	51
042N048	2 5/8		2.62	3.07	3.92	1.53	55
046N052	2 7/8		2.87	3.32	4.17	1.66	57
050N054	3		3.00	3.57	4.42	1.78	60
050N056	3 1/8		3.12	3.57	4.42	1.78	60
053N060	3 5/16		3.31	3.96	4.75	1.90	62
056N062	3 1/2		3.50	3.95	4.79	1.97	55
058N064	3 3/8		3.62	4.20	4.99	2.03	70
064N072	4		4.00	4.45	5.42	2.28	88
066N074	4 1/8		4.12	4.57	5.54	2.34	94
069N076	4 5/16		4.34	4.96	5.84	2.40	100
072N080	4 1/2		4.50	4.95	5.92	2.53	110
082N090	5 1/8		5.12	5.57	6.54	2.84	125
098N106	6 1/8		6.12	6.57	7.54	3.34	130

CUSH-A-CLAMP®

All pipe series and tube series above 1 3/4" are furnished without the controlled-squeeze shoulder bolt. These sizes feature a threaded stud securely fastened to one clamp half.

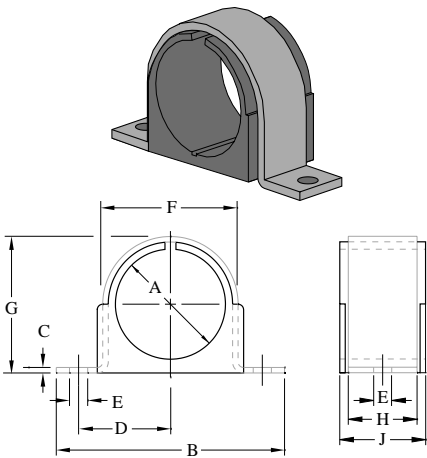
* Tube O.D. is Cushion I.D. All parts are marked for easy identification and packaged for small lot or bulk use.

Part Numbers are "coded" to designate Tube or Pipe series, cushion size and clamp size.

Example:

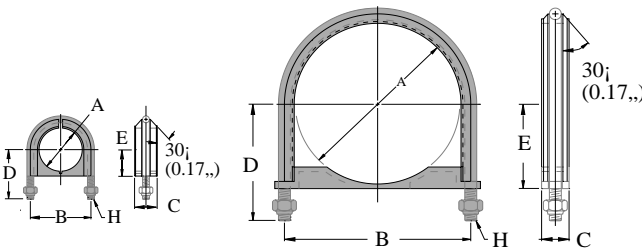
Tube Series-004T008 Pipe Series-009N012
 004 (Cushion Size 1/4") 009 (Cushion Size 1/4" P)
 T (Tubing Assembly) N (Pipe Assembly)
 008 (Clamp Size 1/2") 012 (Clamp Size 3/4")

Omega Series



Part Number	Copper & Steel Tubing O.D.(in)	Copper Water Pipe (Nom./In)	Pipe Size (Nom./In)	Dimensions (Inches)								Wt/100 pcs Lbs	
				"A"	"B"	"C"	"D"	"E"	"F"	"G"	"H"	"J"	
004M007	1/4			0.25	1.81	0.06	0.60	0.20	0.53	0.48	0.62	0.78	3.4
006M008	3/8	1/4		0.37	1.90	0.06	0.65	0.20	0.62	0.62	0.62	0.81	4.0
008M011	1/2	3/8	1/4	0.50	2.20	0.06	0.80	0.26	0.82	0.75	0.75	0.98	5.5
010M013	5/8	1/2	3/8	0.62	2.32	0.06	0.86	0.26	0.94	0.87	0.75	0.98	6.0
012M015	3/4	5/8		0.75	2.41	0.06	0.90	0.26	1.03	1.01	0.75	0.98	6.5
014M017	7/8	3/4	1/2	0.87	2.56	0.06	0.98	0.26	1.18	1.03	0.75	0.98	7.1
016M019	1			1.00	2.68	0.06	1.04	0.26	1.31	1.25	0.75	0.98	7.8
018M020			3/4	1.05	2.68	0.06	1.04	0.26	1.31	1.25	0.75	0.98	8.1
018M021	1 1/8	1		1.12	2.82	0.06	1.11	0.26	1.44	1.33	0.75	0.98	8.4
020M024	1 1/4			1.25	3.00	0.08	1.20	0.26	1.65	1.47	1.25	1.56	17
021M026			1	1.31	3.12	0.08	1.26	0.26	1.76	1.71	1.25	1.56	20
022M026	1 3/8	1 1/4		1.37	3.12	0.08	1.26	0.26	1.76	1.71	1.25	1.56	19
024M028	1 1/2			1.50	3.65	0.08	1.42	0.26	1.93	1.88	1.25	1.56	20
026M030	1 5/8	1 1/2		1.62	3.77	0.08	1.48	0.26	2.07	2.00	1.25	1.56	23
027M032			1 1/4	1.66	3.90	0.10	1.55	0.33	2.21	2.12	1.25	1.56	32
028M032	1 3/4			1.75	3.90	0.10	1.55	0.33	2.21	2.12	1.25	1.56	32
030M034	1 7/8		1 1/2	1.87	4.02	0.10	1.61	0.33	2.33	2.25	1.25	1.56	34
032M036	2			2.00	4.15	0.10	1.67	0.33	2.46	2.38	1.25	1.56	36
034M040	2 1/8			2.12	4.40	0.10	1.80	0.33	2.71	2.62	1.25	1.56	41
038M044			2	2.37	4.71	0.10	1.94	0.33	2.96	2.88	1.25	1.56	44
082M090	5 1/8			5.12	7.64	0.10	3.41	0.40	5.83	6.75	1.25	1.56	120

U-Bolt Series



Part Number	Pipe Size (Nom./In)	Dimensions (Inches)						H	Wt/100 pcs Lbs
		"A"	"B"	"C"	"D"	"E"	"F"		
UB1/2PA	1/2	0.84	1.60	0.68	1.5	0.67	1/4	1/4-20 UNC-2B	9
UB3/4PA	3/4	1.05	1.80	0.68	1.6	0.78	1/4	1/4-20 UNC-2B	10
UB1PA	1	1.31	2.05	0.68	1.7	0.91	1/4	1/4-20 UNC-2B	12
UB1 1/4 PA	1 1/4	1.66	2.54	1.24	2.1	1.08	3/8	3/8-16 UNC-2B	36
UB1 1/2 PA	1 1/2	1.90	2.78	1.24	2.2	1.19	3/8	3/8-16 UNC-2B	32
UB2PA	2	2.37	3.32	1.24	2.5	1.45	3/8	3/8-16 UNC-2B	42
UB2 1/2 PA	2 1/2	2.87	3.88	1.24	3.0	1.69	1/2	1/2-13 UNC-2B	72
UB3PA	3	3.50	4.50	1.24	3.3	2.00	1/2	1/2-13 UNC-2B	84
UB3 1/2 PA	3 1/2	4.00	5.00	1.24	3.7	2.25	1/2	1/2-13 UNC-2B	93
UB4PA	4	4.50	5.50	1.24	3.9	2.5	1/2	1/2-13 UNC-2B	102
UB5PA	5	5.56	6.59	1.24	4.5	3.03	1/2	1/2-13 UNC-2B	123
UB6PA	6	6.62	7.81	1.44	5.4	3.56	5/8	5/8-11 UNC-2B	123
UB8PA	8	8.62	9.84	1.44	6.4	4.56	3/4	3/4-11 UNC-2B	243
UB10PA	10	10.75	12.25	1.65	7.7	5.68	3/4	3/4-10 UNC-2B	492
UB12PA	12	12.75	14.25	1.65	8.7	6.68	3/4	3/4-10 UNC-2B	563

UCC-4

UNISTRUT®

35660 Clinton Street • Wayne, MI 48184
 Tel: (800) 521-7730 • Fax: (734) 721-4106
www.unistrut.com

tyco Electrical & Metal Products